

## NON-ADDRESSABLE CHIME NOTIFICATION APPLIANCE

## VL-W-C

### Description

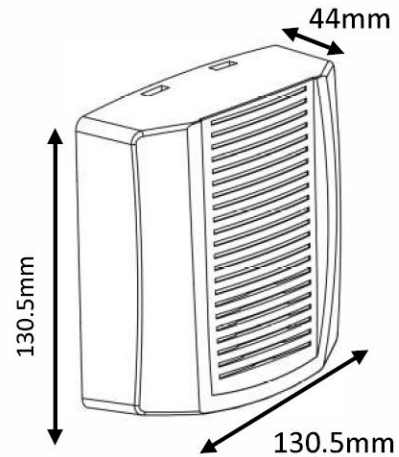
The VL-W-C is powered by 2-wired DC 24V and is indoor use only. It has the ability to adjust volume and frequency. This product is intended to be mounted or installed on a wall. The product has been designed to be connected to a Velocity control panel NAC where the sound between chimes in the same circuit area can be synchronized. Caution: When an alarm signal is emitted, it means there may be an emergency, and should be pay attention immediately.



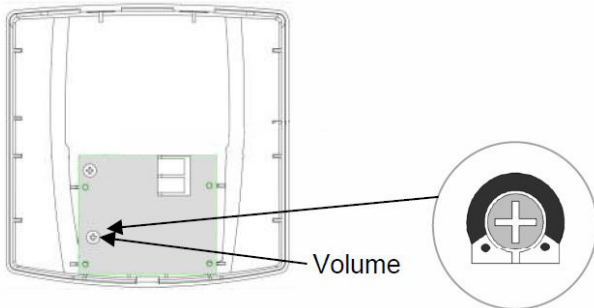
### Features

- Designed to meet UL requirements.
- Compatible with all Velocity NAC circuits.
- Adjustable volume and frequency.
- Designed to be wall mounted.
- fire private mode fire alarm use.
- Powered by 2-wire DC 24V.
- Can be installed in a standard square 4 inch double gang box.
- Chimes on the same NAC can be synchronized.

### Dimensions



### Sound Level and Electrical Characters



Max Volume Sound Level	Maximum Operating Current RMS	Maximum Reverberant Sound Pressure
750Hz	55mA	58.2dB
1000Hz	55mA	58.2dB
1250Hz	55mA	58.2dB

*\*Audible signal appliance for private mode only*

*(The Minimum sound pressure is measure in a UL reverberant test chamber.)*

## Specifications

Specification	VL-W-C
Colour	White or Red Available
Design Standard	UL 464
Approval	UL Laboratories
Nominal Voltage	Regulated 24V DC
Operating Frequency Range	750-1250Hz
Operating Voltage Range	Regulated 16 VDC to 33 VDC
Operating Temperature	32° to 120° F (0° to 49° C)
Humidity Range	10% to 93%, non-condensing at 100° F (38° C)
Dimensions (HxWxD)	130.5mm x 130.5mm x 44mm
Terminal Wiring Size	18 AWG to 12 AWG
Mounting Position	Wall
Material	PA-763
IP Rating	23
Mounting Box	4 x 4 Inch Double Gang Box

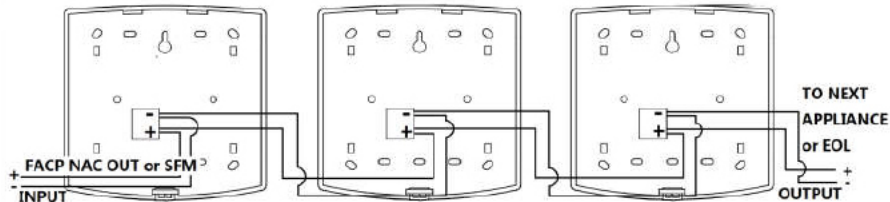
## Product Codes

Wall Mount Chime (White)	VL-W-C-W
Wall Mount Chime (Red)	VL-W-C-R

## Wiring

In order to ensure that the total current consumption of the circuit does not exceed the maximum load current of the NAC module, the device quantity must be considered in the design of system.

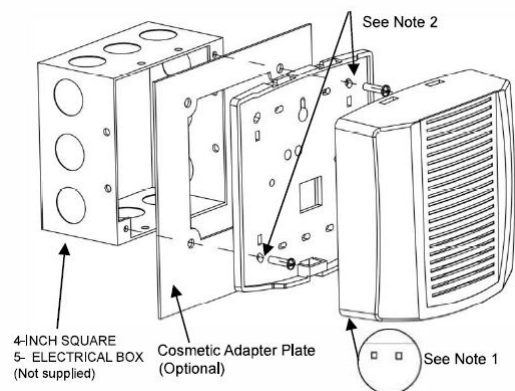
If a NAC has the maximum number of notification appliance connected, any loss of voltage must be calculated to ensure notification products work within their rated voltage range. Please refer to the FACP or NAC and other equipment installation instructions.



## Mounting

Products can be installed in standard square 4-inch double gang box. Before installing and wiring, the power of the NAC must be powered off. After the completion of the terminal wiring, ensure that the terminals are locked. It is recommended to install a Cosmetic Adapter Plate before installing the Notification devices products. Please check the cosmetic adapter plate installation instructions for details.

*Note 1: To remove the cover, depress the snap at the bottom of the product with a key (or flat tip screwdriver) while pulling the cover up with other hand.*



*Note 2: The product attaches directly to a standard 4-inch square electrical box (not supplied) flush mounted or surface mounted. Attach the product to the back cover using two screws (supplied) mounted.*

All specifications are subject to change without any notice.  
For more information, contact with VELOCITY.



Zeta Alarms Limited  
72-78 Morfa Road, Swansea  
SA1 2EN  
Tel: +44 1792 455 175 FAX: +44 1792 455 176

Distributed By