

## NOTIFICATION APPLIANCE CIRCUIT MODULE - CLASS A

## VL-NCA

### Description

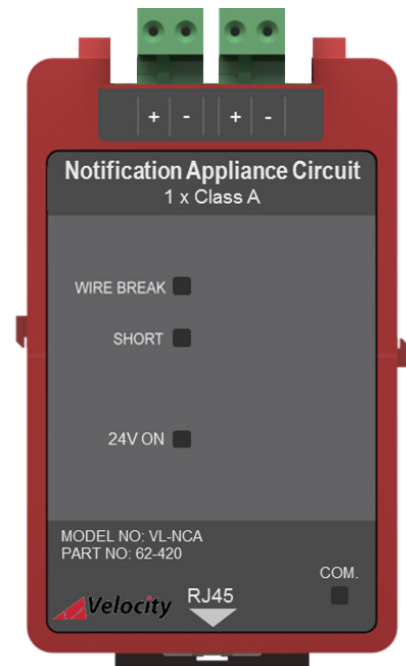
The plug-in VL-NCA module provides power for, and handles communications to the non-addressable notification appliances. It has one notification appliance circuit that can be wired in the class A configuration. Up to a maximum of 1A can be connected to a single class A circuit. The circuit is supervised for open, short and earth trouble conditions and will report this status back to a Velocity MMP fire alarm control panel. An additional feature that is included in the VL-NCA module is that it has the ability to be programmed as a 24v auxiliary special application class A output, which can be used to provide power to external equipment.

### Features

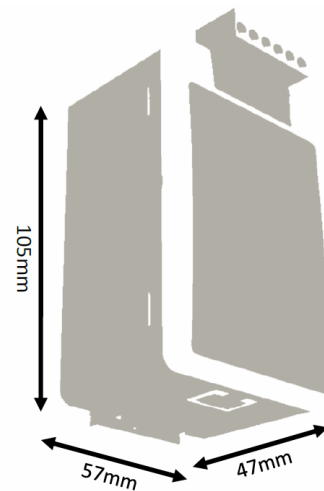
- Designed to meet UL864 10<sup>th</sup> Edition requirements.
- Built-in synchronization circuitry (only compatible with Velocity devices).
- Can be programmed for either unsynchronized bells or synchronised horns/chimes & beacons.
- 1 x Class a NAC output circuit (1A maximum load).
- Extensive front unit status indications (see table below).
- Can be programmed as a 24v auxiliary output (1A maximum load).
- Quick and easy to install by plugging the RJ45 cable into the module and control panel (cable supplied with unit).
- Power Limited.

### Front Unit Indications

LED Indication	Description
Wire Break (Yellow)	Flashing yellow when a wire break in the circuit is detected.
Short (Yellow)	Flashing yellow when a short in the circuit is detected.
24v On (Green)	Flashing green when the module is programmed as an unsynchronised bell output. Solid green when the module is programmed to provide a 24v auxiliary output.
Com. (Green)	Pulses green to show communication between the module and the motherboard.



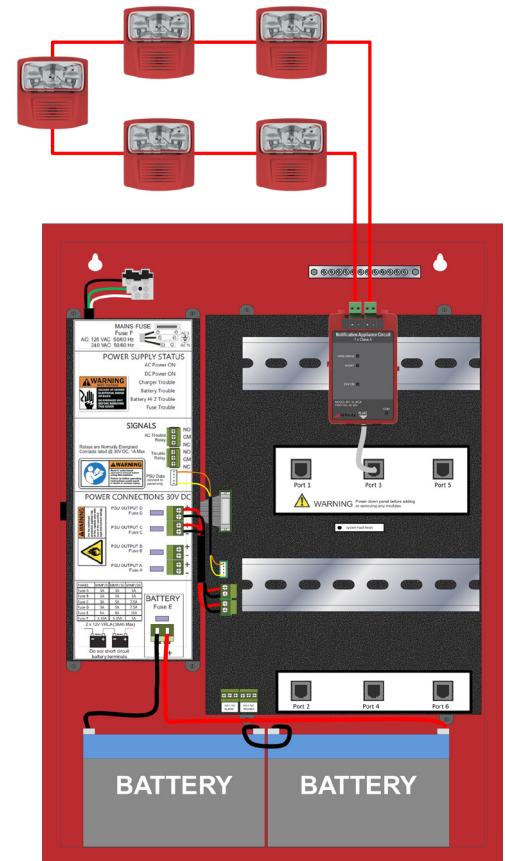
### Dimensions



## Specification

Specification	VL-NCA
Part Number	62-420
Design Standard	UL864 10 <sup>th</sup> Edition
Approval	UL Laboratories
Circuit Type	Regulated 24V DC. Power Limited & Supervised.
Maximum NAC Current	1A
Maximum RMS current for a single notification appliance	700mA
Maximum Line Impedance	1.8Ω total (0.9Ω per core)
Wiring Class	1 x Class A [Power limited & Supervised]
Special Applications	Auxiliary 24 VDC Output [Power limited & Unsupervised]
Synchronisation	Selectable at each module as :- Sounder (Uses synchronisation protocol for horn strobes) or Bell (Will pulse the output voltage to give the required temporal pattern)
Operating Temperature	0 °C (32 °F) to 49 °C (120 °F)
Max Humidity	93% Non-Condensing
Size (mm) (HxWxD)	105mm x 57mm x 47mm
Weight	0.15KG
Terminal Wiring Size	18 AWG to 14 AWG (0.8mm <sup>2</sup> to 2.5mm <sup>2</sup> )

## Interior Panel View

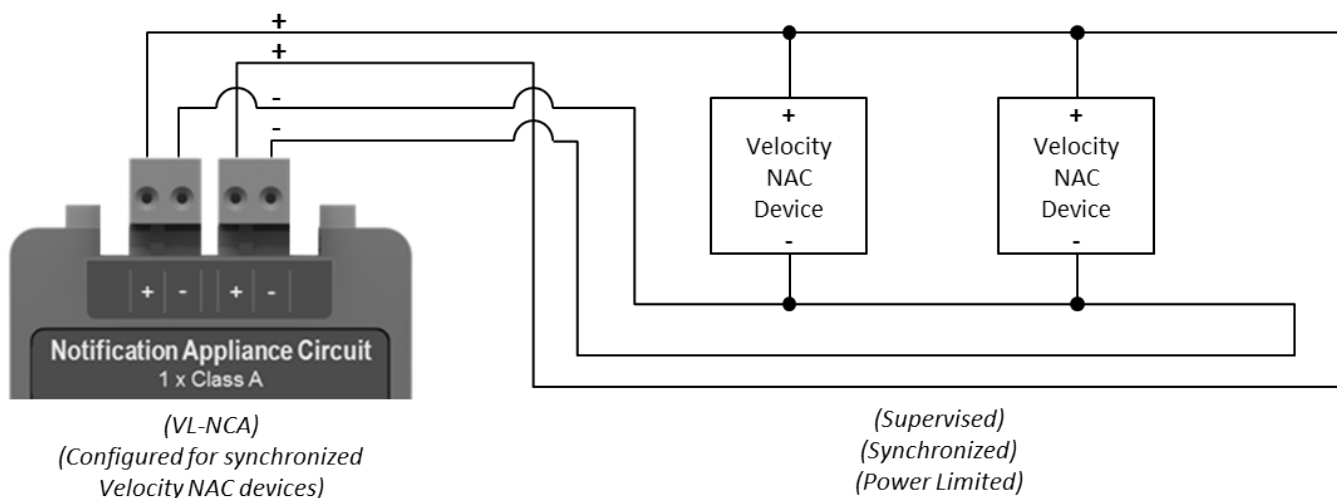


## Compatible Devices/Accessories

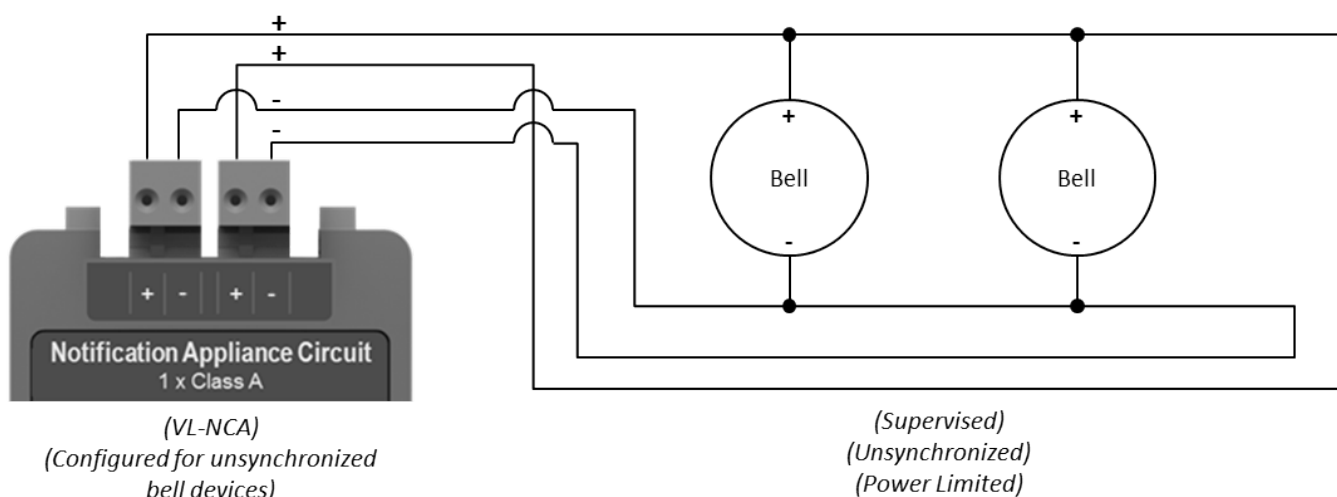
Model No.	Description
VL-MH-W	Mini Horn Notification Appliance (White)
VL-MH-R	Mini Horn Notification Appliance (Red)
VL-W-C-W	Chime Notification Appliance (Wall Mount) (White)
VL-W-C-R	Chime Notification Appliance (Wall Mount) (Red)
VL-W-M-W	Multi-Tone Chime Notification Appliance (Wall Mount) (White)
VL-W-M-R	Multi-Tone Chime Notification Appliance (Wall Mount) (Red)
VL-W-CS-W	Chime & Multi-Candela Notification Appliance (Wall Mount) (White)
VL-W-CS-R	Chime & Multi-Candela Notification Appliance (Wall Mount) (Red)
VL-C-CS-W	Chime & Multi-Candela Notification Appliance (Ceiling Mount) (White)
VL-C-CS-R	Chime & Multi-Candela Notification Appliance (Ceiling Mount) (Red)
VL-W-MS-W	Multi-Tone & Multi-Candela Notification Appliance (Wall Mount) (White)
VL-W-MS-R	Multi-Tone & Multi-Candela Notification Appliance (Wall Mount) (Red)
VL-C-MS-W	Multi-Tone & Multi-Candela Notification Appliance (Ceiling Mount) (White)
VL-C-MS-R	Multi-Tone & Multi-Candela Notification Appliance (Ceiling Mount) (Red)
VL-W-S-W	Multi-Candela Notification Appliance (Wall Mount) (White)
VL-W-S-R	Multi-Candela Notification Appliance (Wall Mount) (Red)
VL-C-S-W	Multi-Candela Notification Appliance (Ceiling Mount) (White)
VL-C-S-R	Multi-Candela Notification Appliance (Ceiling Mount) (Red)

▪ **Typical Wiring Diagram (Class A) - Synchronized Velocity NAC Devices**

(For more information on wiring, please refer to the VL-NCA installation guide (Doc:\_\_\_\_\_))

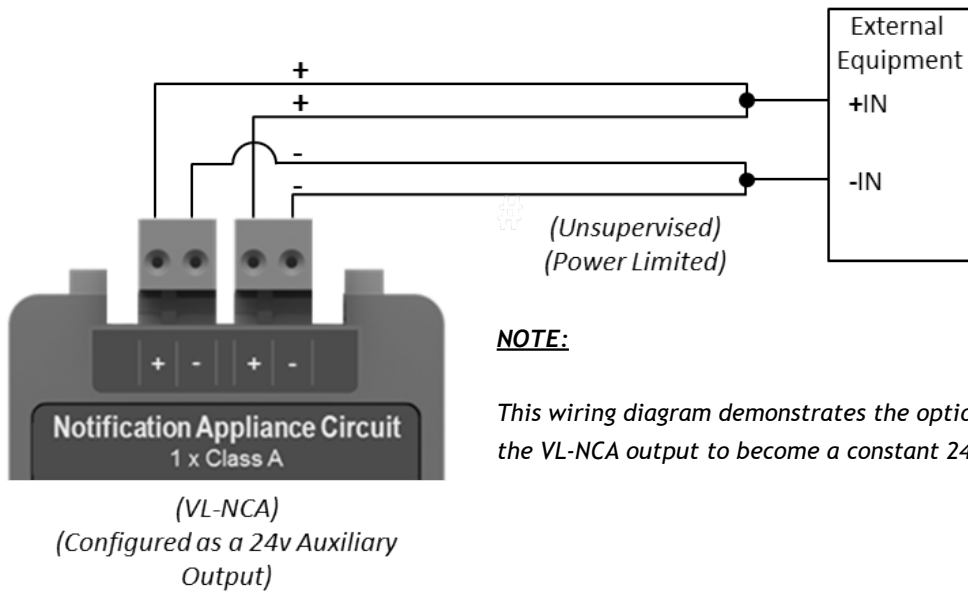


▪ **Typical Wiring Diagram (Class A) - Unsynchronized Velocity Bell Devices**



▪ **Typical Wiring Diagram (Auxiliary 24VDC)**

(For more information on wiring, please refer to the VL-NCA installation guide (Doc:\_\_\_\_\_))



All specifications are subject to change without any notice. For more information, contact with VELOCITY.



Zeta Alarms Limited  
72-78 Morfa Road, Swansea  
SA1 2EN  
Tel: +44 1792 455 175 FAX: +44 1792 455 176

Distributed By